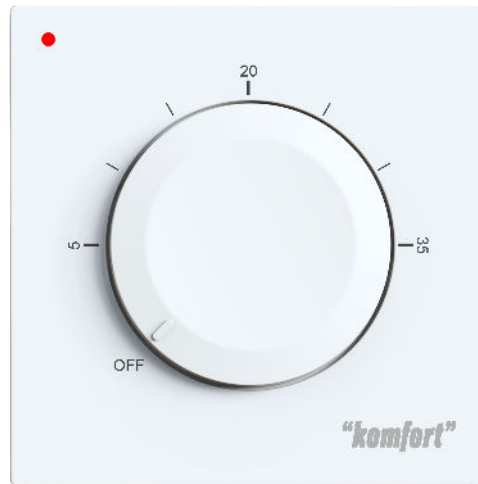


This is a simple electric analog thermostat with possible to be installed directly on the wall. The thermostat have one button for adjusting the temperature and for OFF mode, and another switch at side for summer mode and winter mode selection. Furthermore, it has LED indicator showing heating periods. It is a simple thermostat to control thermal actuator or voltage-free device such as gas boiler or water heat pump.



Functions

- Convenient Knob Operation
- Change-over input
- Non-programmable
- Frost protection (set to OFF)
- Internal or External sensor

Technical Data

Power Supply	230V, 50/60Hz
Max. continuous load (output)	< 50 mA /10 W
Max. inrush current (actuator)	3 A ≤ 100 ms
Power consumption	≤ 0,5 W
Temperature setting range	+5 °C to 30 °C
Ambient temperature, storage	0°C to 50 °C
Ambient temperature, used in application	≤ 0,5 W
Sensor, room	10 kΩ, NTC
Protection Class	IP20
Housing	ABS+PC

External Sensor

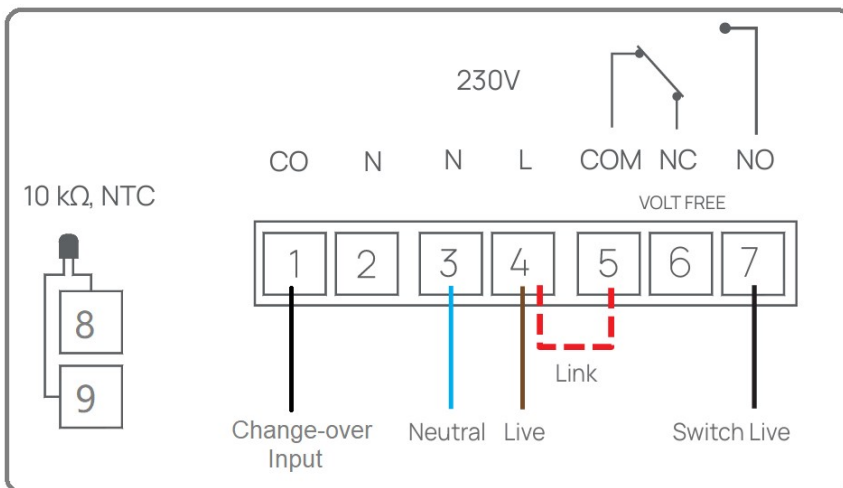
Normally thermostat use internal sensor as measured temperature. When external sensor connected, it will auto switch to external sensor as measured temperature, disable internal sensor.

Frost Protection

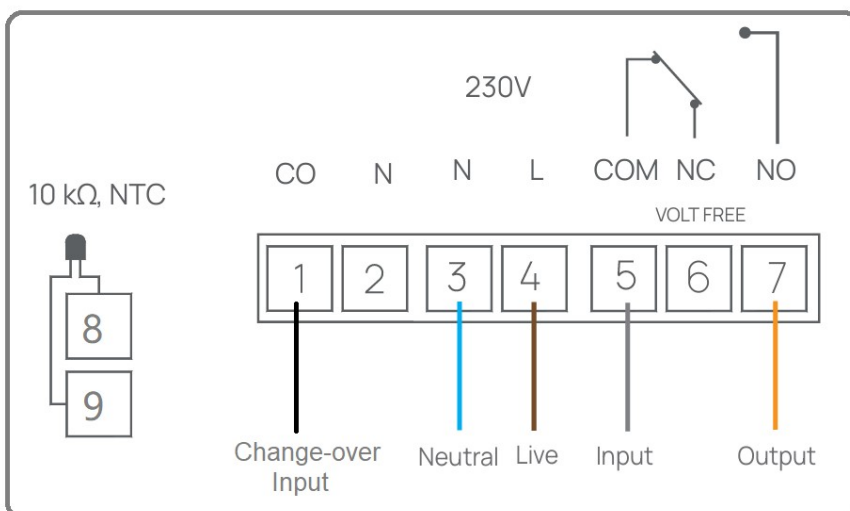
This is the temperature maintained when the thermostat is in Frost Protection Mode (OFF Position). If room temperature below 5°C (Default), thermostat will turn on heating till room temperature arrive 5°C (Default).

Wiring Diagram

For 230Vac output (L and COM are jumped at factory) :



For voltage-free output (Remove jumper between L and COM):



Installation Procedure



DO

Mount the thermostat at eye level.

Read the instructions fully so you get the best from our product.



DON'T

Do not install near to a direct heat source as this will affect functionality.

Do not push hard on the LCD screen as this may cause irreparable damage.

The thermostat is designed to be flush mounted and requires a back box of 35mm (minimum depth) to be sunk into the wall prior to installation.

Step1: Using a small screwdriver, slightly loosen the bottom face of the thermostat.

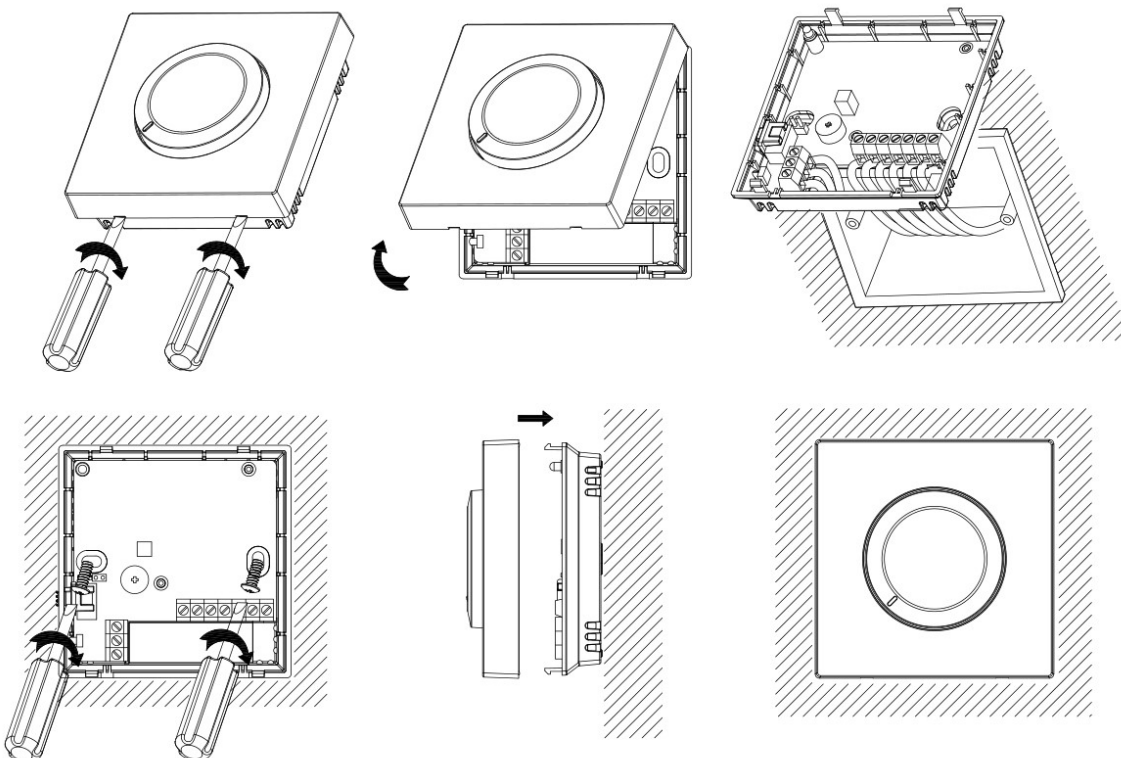
Step 2: Carefully separate the front half from the back plate.

Step 3: Place the thermostat front somewhere safe.

Step 4: Terminate the thermostat as shown in the diagram

Step 5: Screw the thermostat back plate securely into the back box.

Step 6: Clip the front of the thermostat onto the back plate



Size

